

Note: This view depicts the OP8 with suppression. The NSOP8 does not have the suppression or fuses shown.

Illustration A

Installation Instructions for side mounting the OP8-20B Multi-Outlet Surge Suppressor Panel or NSOP8-20B Multi-Outlet Panel into Schroff 19" Eurorack applications using the OP8/NSOP8 Side Mount Adapter.

Warning: Dangerous electrical voltages may be present. Before service or installation, lock out all electrical service panels that feed this outlet panel.

The installation and wiring of this product must conform to all Local, National Electric Code and Motorola R56 installation Requirements.

NOTE:

All electrical installation must be completed per the Installation Instructions 1400-312-1 provided with the OP8-20B/NSOP8-20B Outlet Panel.

1. Install the Side Mount Adapter using the four screws provided with the Adapter.
2. Mount the OP8-20B/NSOP8-20B onto the Side Mount Adapter using the two screws provided with the OP8-20B/NSOP8-20B. The screws are installed through the interior, back surface into the threaded inserts on the Side Mount Adapter as shown in Illustration A.
3. Carefully remove the conduit knockouts as required on the OP8-20B/NSOP8-20B. If electrical power is being routed from the back, use the knockouts on the back surface that pass through the Side Mount Adapter.
4. Complete the Mechanical and Electrical Wiring Installation of the OP8-20B/NSOP8 per Instructions 1400-312-1.



NOTICE: THE INFORMATION AND DESIGN CONTAINED HEREIN IS THE PROPERTY OF TRANSTECTOR SYSTEMS. WHO RESERVES ALL RIGHTS THERETO.

SIZE	CAGE	DRAWING NUMBER	REV
A	30992	1400-312-3	C
SCALE=	NA	SHEET	1 of 2

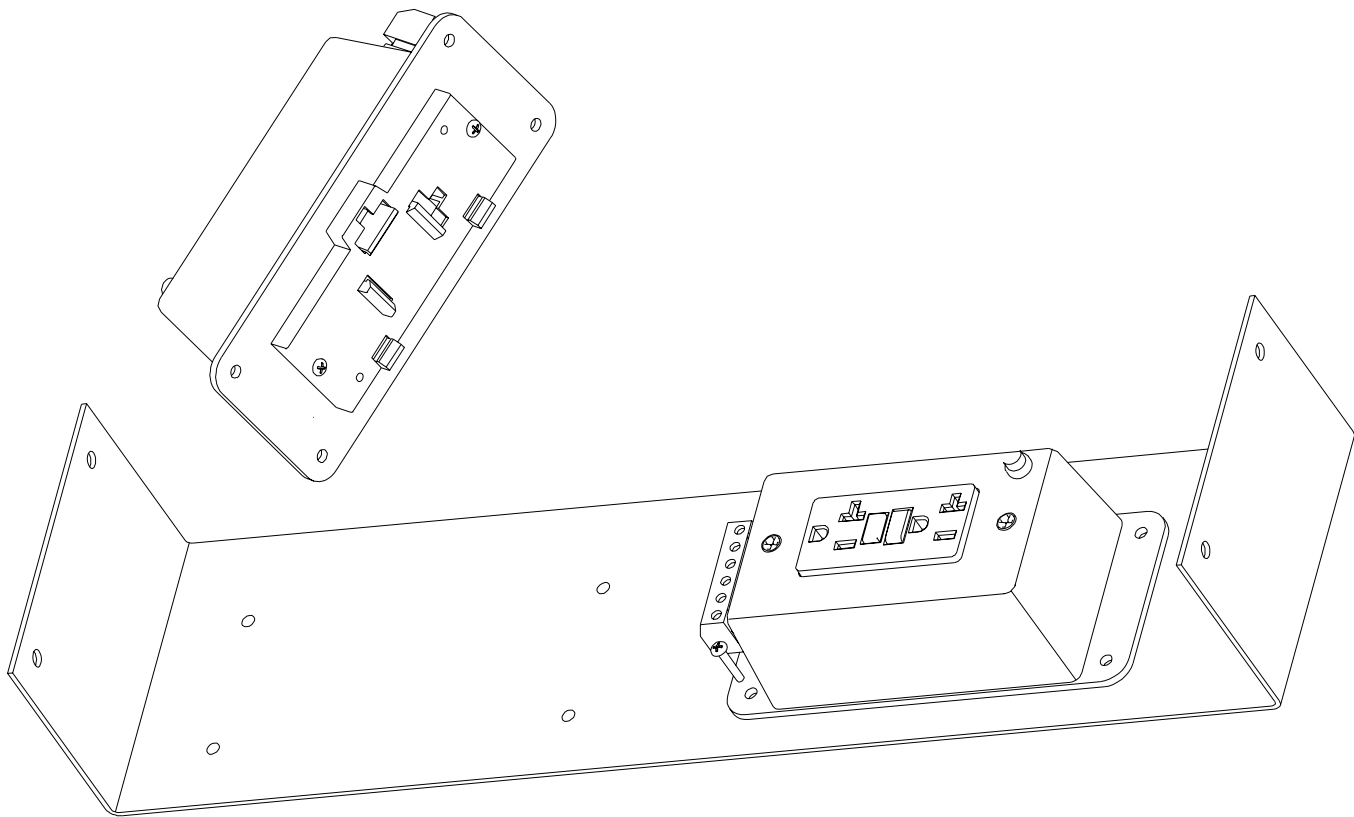


Illustration B

Installation Instructions for side mounting the ACP100DR2 AC Suppressor into Schroff 19" Eurorack applications using the OP8/NSOP8 Side Mount Adapter.

Warning: Dangerous electrical voltages may be present. Before service or installation, lock out all electrical service panels that feed this outlet panel.

The installation and wiring of this product must conform to all Local, National Electric Code and Motorola R56 installation Requirements.

NOTE:

All electrical installation must be completed per the Installation Instructions 1200-178 provided with the ACP100DR2 Suppressor.

1. Install the Side Mount Adapter using the four screws provided with the Adapter.
2. Remove the Din Rail adapter bracket from the back mounting surface of the ACP100DR2 as shown in the upper view of Illustration B to allow for a flat, flush fit..
3. Mount the ACP100DR2 onto the Side Mount Adapter using the screws provided with the the adapter. The screws are installed through four corner mounting holes of the ACP100DR2 into the threaded inserts on the Side Mount Adapter as shown in Illustration B. Note that two ACP100DR2 may be installed on the adapter, orient the terminal block towards the center to allow wiring.
4. Complete the Mechanical and Electrical Wiring Installation of the ACP100DR2 per Instructions 1200-178.