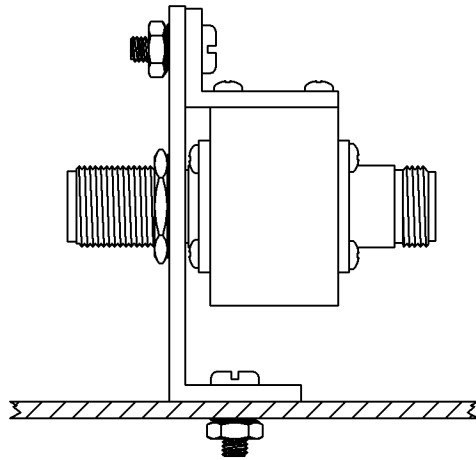


ALL DESIGN, OPERATIVE AND PROCESS DATA PERTAINING TO THE ARTICLE SHOWN ON THIS SHEET IS THE PROPERTY OF POLYPHASER CORPORATION. THE INFORMATION IS NOT TO BE COPIED, REPRODUCED, REVEALED TO OR APPROPRIATED BY OTHERS WITHOUT THE EXPRESS WRITTEN CONSENT OF POLYPHASER CORPORATION.

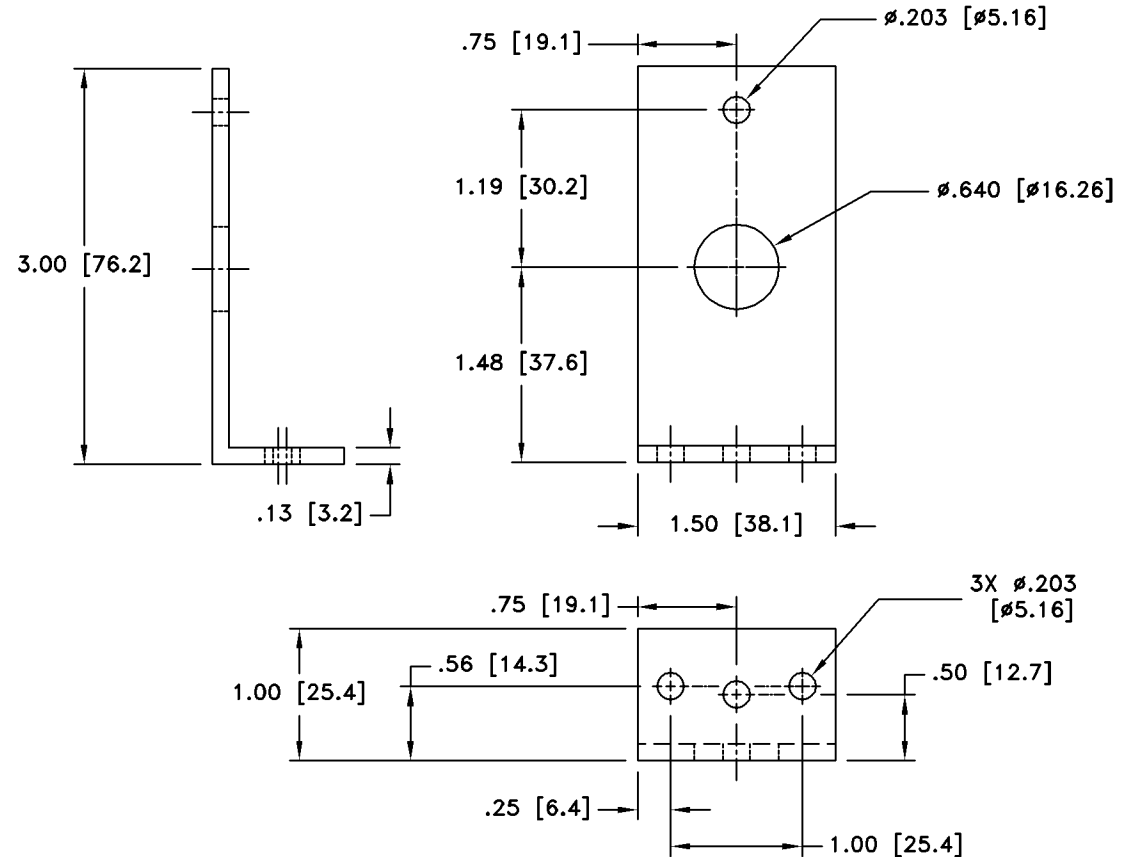
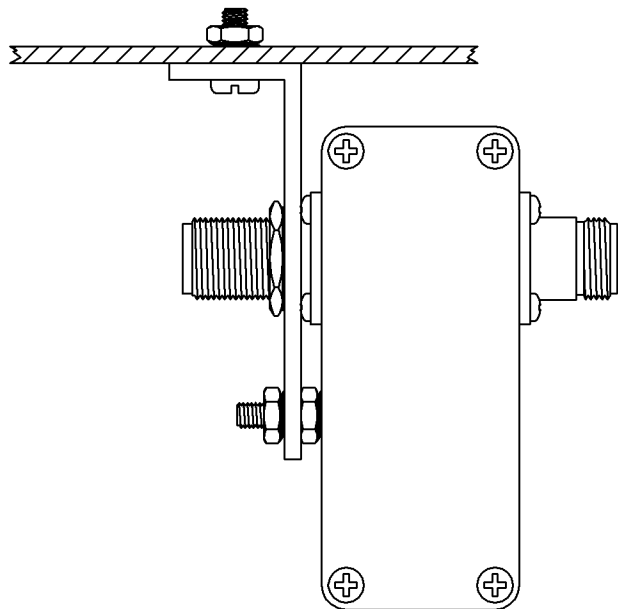
These commodities or technology are exported from the U.S. in accordance with the Export Administration Regulations. Diversion contrary to U.S. law prohibited.

REVISIONS

REV LTR	DATE	ENG	MKTG	Q.A.
A	02/25/98	KCB	--	RM
B	11/19/01 ^{SH}	RCD	TE	RM
C	12/20/02 ^{SH}	RCD	SD	LJ
D	10/25/07 ^{SH}	AD	--	--



TYPICAL SUPPRESSOR MOUNTING CONFIGURATIONS



CUSTOMER APPROVAL: _____ DATE: _____

ALL DIMENSIONS SHOWN ABOVE ARE FOR REFERENCE ONLY.

DRAFTER R. DUNNING	DATE 08/21/92
MECH ENGINEER - - - -	DATE - - - -
ELEC ENGINEER J. JONES	DATE 08/21/92
MARKETING - - - -	DATE - - - -
QUALITY DEPT N. JOHN	DATE 08/21/92

PolyPhaser

P.O. BOX 9000 MINDEN, NY 89423 TEL: 775-782-2511 FAX: 775-782-4476
DWG NO/PART NO/DESCRIPTION

BF ADAPTER
CUSTOMER PRINT

CAGE CODE 61114	FILE NAME -C1	SCALE 1/1.5	SHEET 1 OF 1
--------------------	------------------	----------------	-----------------